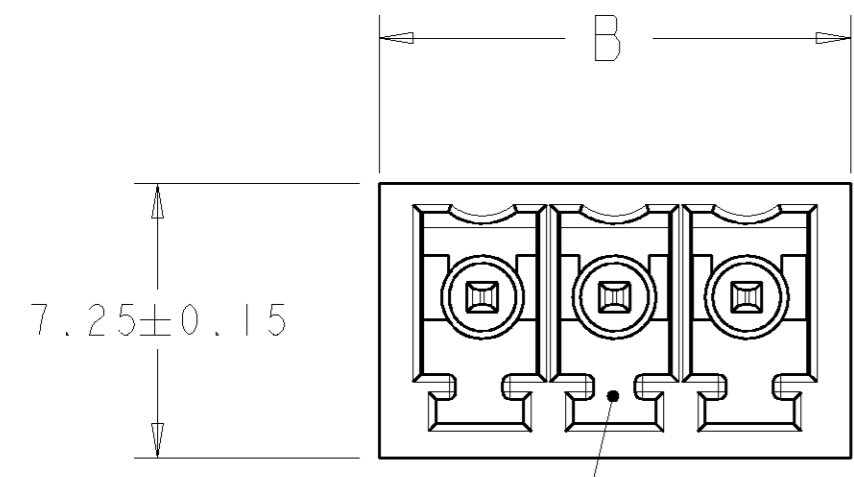
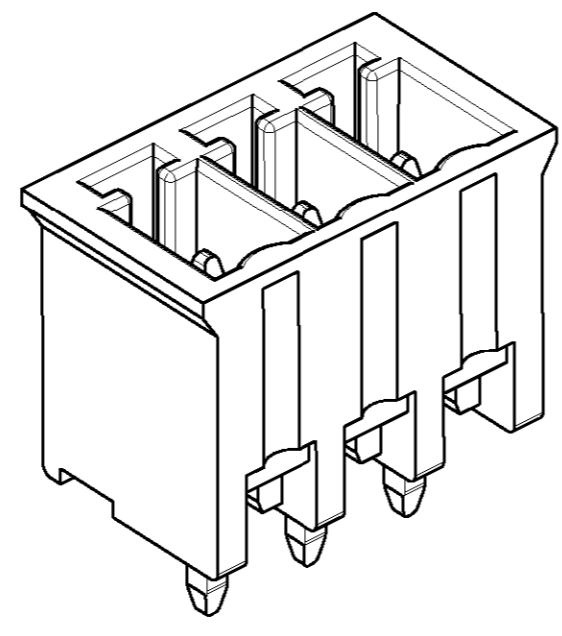


THIS DRAWING IS UNPUBLISHED. RELEASED FOR PUBLICATION 20
 © COPYRIGHT 20 BY TYCO ELECTRONICS CORPORATION. ALL RIGHTS RESERVED.

| LOC | DIST | REVISIONS | | | | | |
|-----|------|-----------|-----|-------------------------|-----------|-----|------|
| FT | 0 | P | LTR | DESCRIPTION | DATE | DWN | APVD |
| | | A | | RELEASED | 27NOV2000 | - | - |
| | | B | | REVISED EC 0G3B-0401-04 | 02JUN2004 | SW | CR |
| | | C | | REVISED EC 0G3B-0477-04 | 02JUN2004 | SW | CR |

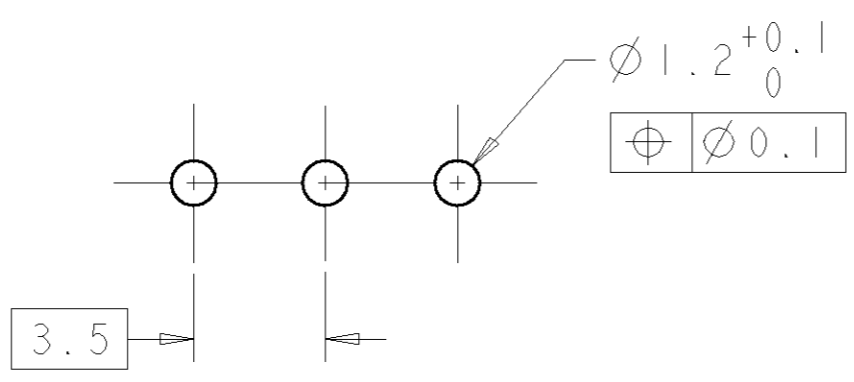
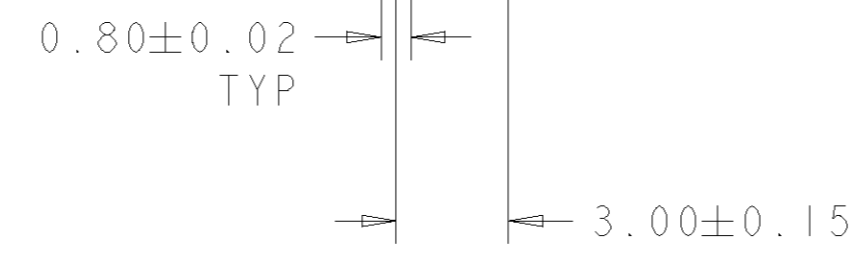
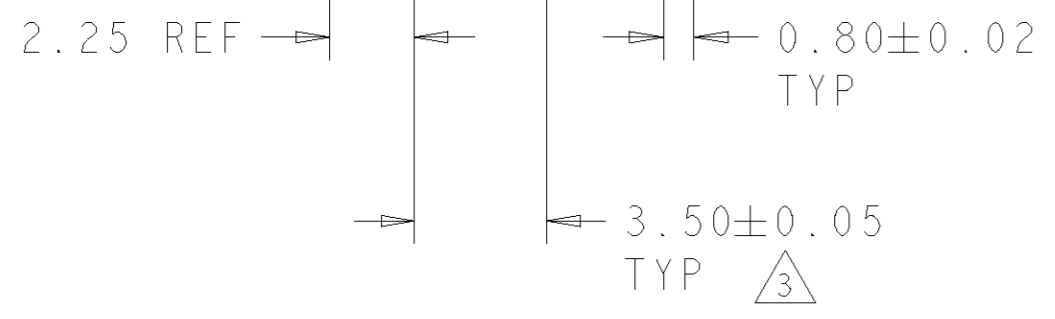
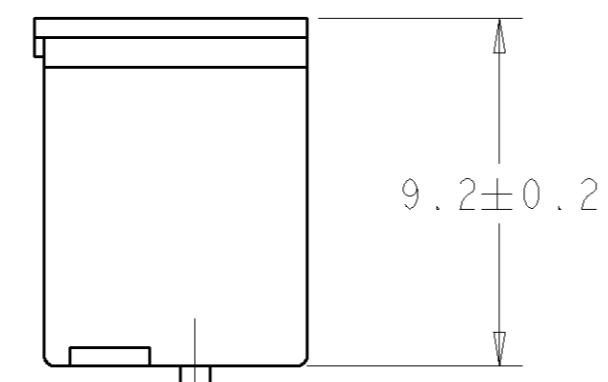
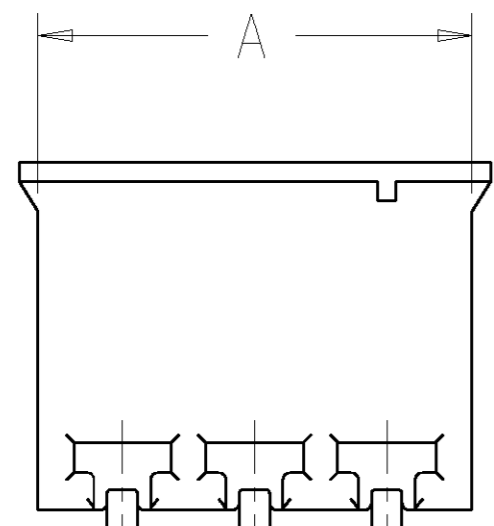


POLARIZATION KEY SLOT



796694-3 AS SHOWN

- 1. MATERIALS AND FINISH:
 HOUSING : PA 6.6, UL 94-V0, COLOR: BLUE (RAL 5012)
 TERMINAL : BRASS, TIN PLATED
- 2. RECOMMENDED PC BOARD THICKNESS 1.6-2.4 MM.
- 3. NOT CUMULATIVE TOLERANCE.



RECOMMENDED PC BOARD LAYOUT

| | | | |
|------|------|----|------------|
| 89.5 | 88.5 | 25 | 2-796694-5 |
| 86.0 | 85.0 | 24 | 2-796694-4 |
| 82.5 | 81.5 | 23 | 2-796694-3 |
| 79.0 | 78.0 | 22 | 2-796694-2 |
| 75.5 | 74.5 | 21 | 2-796694-1 |
| 72.0 | 71.0 | 20 | 2-796694-0 |
| 68.5 | 67.5 | 19 | 1-796694-9 |
| 65.0 | 64.0 | 18 | 1-796694-8 |
| 61.5 | 60.5 | 17 | 1-796694-7 |
| 58.0 | 57.0 | 16 | 1-796694-6 |
| 54.5 | 53.5 | 15 | 1-796694-5 |
| 51.0 | 50.0 | 14 | 1-796694-4 |
| 47.5 | 46.5 | 13 | 1-796694-3 |
| 44.0 | 43.0 | 12 | 1-796694-2 |
| 40.5 | 39.5 | 11 | 1-796694-1 |
| 37.0 | 36.0 | 10 | 1-796694-0 |
| 33.5 | 32.5 | 9 | 796694-9 |
| 30.0 | 29.0 | 8 | 796694-8 |
| 26.5 | 25.5 | 7 | 796694-7 |
| 23.0 | 22.0 | 6 | 796694-6 |
| 19.5 | 18.5 | 5 | 796694-5 |
| 16.0 | 15.0 | 4 | 796694-4 |
| 12.5 | 11.5 | 3 | 796694-3 |
| 9.0 | 8.0 | 2 | 796694-2 |

| B | A | NO. OF POSN | PART NUMBER |
|---|---|-------------|-------------|
|---|---|-------------|-------------|

| | | | |
|--|---|--|--|
| <small>THIS DRAWING IS A CONTROLLED DOCUMENT FOR TYCO ELECTRONICS CORPORATION. IT IS SUBJECT TO CHANGE AND THE CONTROLLING ENGINEERING ORGANIZATION SHOULD BE CONTACTED FOR THE LATEST REVISION.</small> | | DWN S. WELDON 27NOV2000 CHK D. BIEVENOUR 27NOV2000 APVD D. BIEVENOUR 27NOV2000 | AMP Tyco Electronics Harrisburg, PA 17105-3608 |
| DIMENSIONS: mm | TOLERANCES UNLESS OTHERWISE SPECIFIED: 0 PLC ± 1 PLC ±0.3 2 PLC ±0.25 3 PLC ±0.000 4 PLC ±0.0000 ANGLES ± FINISH - | PRODUCT SPEC - APPLICATION SPEC - WEIGHT - | NAME: TERMI BLOK, HEADER ASSEMBLY, STRAIGHT, CLOSED ENDS, 3.5 mm PITCH SIZE: A2 CAGE CODE: 00779 DRAWING NO: 796694 RESTRICTED TO: - SCALE: 5.1 SHEET 1 OF 1 REV C |
| MATERIAL: - | | CUSTOMER DRAWING | |